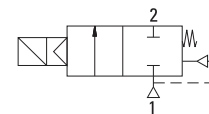


GENERAL FEATURES

- New design
- Full orifice Stainless Steel solenoid valves
- TORK series S6030 diaphragm stainless solenoid valves are 2/2 way normally closed and pilot operated
- Suitable for non-aggressive liquids (water, light oil (2E) etc...), gaseous fluids (air, inert gases etc...)
- Working Temperature: -10°C / +80°C
- Not suitable for use with dangerous fluids listed in Group 1
- Minimum operating differential pressure 0,35 bar and 0,5 bar
- High reliability, quality and performance; long life, corrosion resistance
- Wide pressure ratings, range of flow rate and orifice options
- On request; manual override
- On request; flanged types
- Ideal for the automatic control of media in a wide range of applications.
- Coils interchangeable
- Flow factor Kv of each valve is indicated, so that the flow Q can be calculated as a function of pressure
- Solenoid valves must be used with filtered fluids. Solenoid valve can be mounted in any position without affecting operation; vertical with coil upwards preferred. Standard pipe connection is G (BSP) (ISO 228-1) and on request; other pipe connections are available (NPT (ANSI 1.20.3))

NEW

Normally Closed



S6030 (N.C.)



ELECTRICAL CHARACTERISTICS

Continuous Duty	: ED %100
Coil Insulation Class	: H (180°C)
Coil Impregnation	: Polyester Fiber Glass
Coil Encapsulation Material	: Fiber Glass Reinforced
Ambient Temperature	: from -10°C; +60°C
Protection Degree	: IP 65 (EN 60529) with coil duly fitted with the plug connector
Electric Plug Connection	: DIN 46340 3-poles connectors (DIN 43650)
Connector Specification	: ISO 4400 / EN 175301-803, Form A, Spade plug (Cable Ø6-8 mm)
Electrical Safety	: IEC 335
Standard Voltages	: For AC 12V, 24V, 48V, 110V, 230V For DC 12V, 24V, 48V, 110 V

Other voltages on request;
Voltage Tolerances : For AC -15%; +10%, For DC -5%; +10%
Frequency : 50 Hz, other frequencies on request; (60 Hz)
On request; connector with LED
Specify coil voltage with order

MATERIALS IN CONTACT WITH FLUID

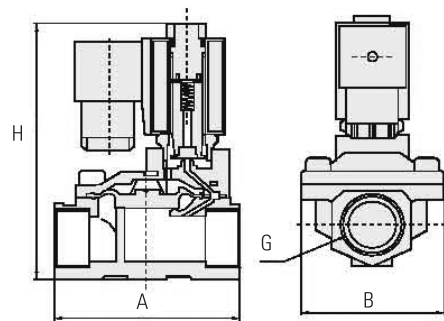
Body	: AISI 304 Stainless Steel (On request 316)
Internal Parts	: Stainless Steel
Sealing	: NBR
Shading Ring	: Copper
Seats	: Stainless Steel
Core Tube	: Stainless Steel
Springs	: Stainless Steel
On request; sealing can be	FPM (VITON), EPDM

TECHNICAL FEATURES

Max Viscosity : 5°E (-37cSt or mm²/s)
Response Time : Opening Time : 400 ms to ~ 1600 ms,
Closing Time : 1000 ms to ~ 2000 ms
Maximum Allowable Pressure : 25 bar
Fluid Temperature for FPM (VITON) from -10°C; +120°C,
for EPDM from -10°C; +130°C

Dimensions (mm)

G	A	B	H
3/8"	66	48	112
1/2"	66	48	112
3/4"	75	58	118
1"	96	70	131
1 1/4"	131	96	146
1 1/2"	131	96	146
2"	165	120	167



Valve Type / Order no	Connection Size	Orifice size	Pressure		KV	Fluid Temperature		Seal	Weight
			min	max		min	max		
S6030	G	mm	bar	bar	lt/min	°C			(kg)
S6030.02	3/8"	13	0,5	16	65	-10	80	NBR	1,08
S6030.03	1/2"	13	0,5	16	65	-10	80	NBR	1,04
S6030.04	3/4"	20	0,5	16	108	-10	80	NBR	1,06
S6030.05	1"	25	0,5	16	172	-10	80	NBR	1,2
S6030.06	1 1/4"	35	0,5	16	315	-10	80	NBR	3,45
S6030.07	1 1/2"	40	0,5	16	430	-10	80	NBR	3,35
S6030.08	2"	50	0,5	16	690	-10	80	NBR	3,78

Useful Informations

1 bar:14,5 PSI:10 mH₂O:10 N/cm²:1 kg/cm²:100000 Pa, 1 PSI:69 mbar,1 m³/h:4,405 GPM:16,7 L/d 1 Gallon / minute:0,227 m³/h, 0°C:89,6 F
Sealings:NBR:Nitri-le-Butylene Elastomer, FPM (VITON):Fluoro-Carbon Elastomer, EPDM:Ethylene-Propylene Elastomer