

ROBINET CLAPA FLUTURE CU ACTIONARE PNEUMATICA (TORK-KV.L1140, PAV-803-DA/SR)**Detalii Actuator Pneumatic**

Tip: SR - revenire, DA – actionare directa

Pozitie: 2 sau 3 pozitii

Unghi rotatie: 90°, 120°, 180°

Clasa Protectie Electrica: IP65, IP68

Clasa Protectie Exproof: II 2GDc T4

Presiune comanda: 4...8 Bar

Temperatura de lucru : -10°C...+80°C
(- 50°C...80°C)

Moment de actionare: 9Nm...5162 Nm

Corp: Aluminiu

Cursa: ±5°

Accesorii: Switch box, Namur, Positioner,
actionare manuala

Control debit: On/Off sau Proportional

Standart electroventil Namur: ISO 5211

Conexiune Accesorii: standard Namur

Detalii robinet clapa fluture

Corp: GG-25 vopsit Epoxy (optional GGG 40-50)

Disc: inox 316

Presiune de lucru: PN6, PN10, PN16

Conexiune cu flanse: PN 6, PN 10, PN 16, ANSI Cls
150, JIS 5K (DN 50 - DN 300)

Flansa actionare: ISO 5211

Norma fabricatie: EN 558-1/20

Teste: EN 12266-1

Tip vana fluture: LUG

Operare: 2/2 Cai

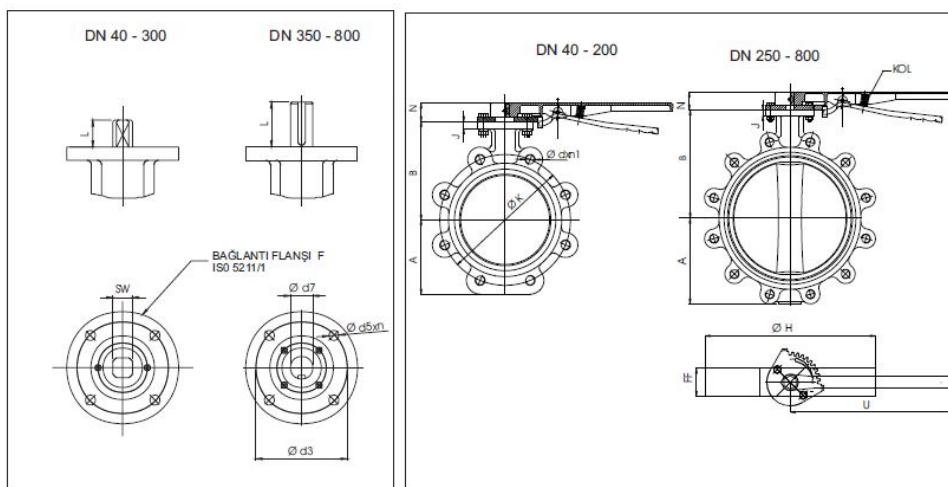
DN: DN32...DN1000

Aplicatii:

- Lichide necorozive
- Aplicatii Generale - apa, aer comprimat
- Statii tratare apa

Manseta: NBR, EPDM, Viton, Silicon

Dimensiuni Vana fluture W1140



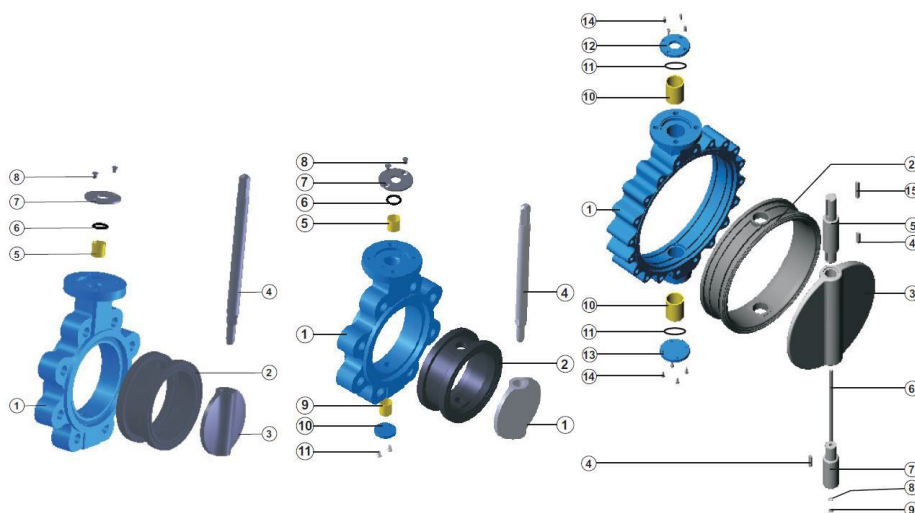
DN	A	B	FF	Ø H	J	M	N	U	W	Ø T	F	Ø d5x4	□ SW Ø d7	L	Ø d3	PN 10			PN 16		
																Ø K	Ø d	n1	Ø K	Ø d	n1
Ø 40	61	96	40	118	13	50	37	220	159	200	05	7x4	□ 9	20	50	110	M 16	4	110	M 16	4
Ø 50	67	108	43	130	13	50	37	220	159	200	05	7x4	□ 9	20	50	125	M 16	4	125	M 16	4
Ø 65	75	127	46	154	13	50	37	220	159	200	07	9x4	□ 11	20	70	145	M 16	4	145	M 16	4
Ø 80	96	132	46	188	14	50	37	260	159	200	07	9x4	□ 14	20	70	160	M 16	8	160	M 16	8
Ø 100	111	155	52	218	14	50	37	260	159	200	07	9x4	□ 14	20	70	180	M 16	8	180	M 16	8
Ø 125	123	158	56	234	14	50	37	260	159	200	07	9x4	□ 14	20	70	210	M 16	8	210	M 16	8
Ø 150	134	185	56	268	14	50	37	350	159	200	07	9x4	□ 17	22	70	240	M 20	8	240	M 20	8
Ø 200	164	213	60	317	15	50	37	350	159	200	07	9x4	□ 17	22	70	295	M 20	8	295	M 20	12
Ø 250	202	245	68	393	15	75	47	400	238	260	10	11x4	□ 22	32	102	350	M 20	12	355	M 24	12
Ø 300	239	282	77	446	15	75	47	400	238	260	10	11x4	□ 27	32	102	400	M 20	12	410	M 24	12
Ø 350	300	318	78 / 92	513	28	102	-	-	315	400	14	17.5x4	Ø 36	75	140	460	M 20	16	470	M 24	16
Ø 400	326	362	102	570	28	102	-	-	315	400	14	17.5x4	Ø 36	75	140	515	M 24	16	525	M 27	16
Ø 450	364	410	114	632	26	102	-	-	315	400	16	22x4	Ø 45	92	165	565	M 24	20	585	M 27	20
Ø 500	408	435	127	667	26	102	-	-	315	550	16	22x4	Ø 45	92	165	620	M 24	20	650	M 30	20
Ø 600	482	519	154	768	26	102	-	-	315	600	16	22x4	Ø 60	92	165	725	M 27	20	770	M 33	20
Ø 700	543	548	165	900	30	135	-	-	414	700	25	18x8	Ø 68	118	254	840	M 27	24	840	M 33	24
Ø 800	587	587	180 / 190	1016	30	135	-	-	414	800	25	18x8	Ø 80	118	254	950	M 30	24	950	M 36	24

Cod Vana Fluture: Tork-KV.W1140

Cod actionare directa DA: PAV-803.DA

Cod actionare cu revenire cu arc SR: PAV-803.SR

Componete vana fluture W1140



DN 40 -200

Nr	DENUMIRE	MATERIAL
1	Corp	GG 25, GGG 40-50, GGG 40.3, Al-Bz AISI 316, GS-C25
2	Manseta	EPDM, NBR, VITON, HYPALON
3	Clapa	AISI 316, Al-Bz, GGG40-50, GS-C25, UB
4	Tija	AISI 304, AISI 316, AISI 420
5	Bucsa	SB (Otel carbon + PTFE)
6	O-Ring	NBR
7	Sector	St-37, A-2
8	Surub	8.8, A-2

DN 250-300

1	Corp	GG 25, GGG 40-50, GGG 40.3, Al-Bz AISI 316, GS-C25
2	Manseta	EPDM, NBR, Viton, Hypalon Neopren, NR, Silicon
3	Clapa	AISI 316, Al-Bz, GGG 40-50, GS-C25, UB 6
4	Tija	AISI 304, AISI 316, AISI 420
5	Bucsa	SB (Otel carbon + PTFE)
6	O-Ring	NBR
7	Sector	St-37, A-2
8	Surub	8.8, A-2
9	Bucsa	SB (Otel carbon + PTFE)
10	Capac	St-37
11	Surub	8.8, A-2

DN 350 -1000

Nr.	Denumire	Material
1	Corp	GG 25, GGG 40-50, GGG 40.3, Al Bz, AISI 316, GS-C25
2	Manseta	EPDM, NBR, Viton, Hypalon, Neopren, NR, Silicon
3	Clapa	AISI 316, Al-Bz, GGG 40-50, GS-C25, UB 6
4	Pana	C 45 k
5	Tija superioara	AISI 304, AISI 316, AISI 420
6	Ax	AISI 304, AISI 316, AISI 420
7	Tija inferioara	AISI 304, AISI 316, AISI 420
8	Saiba	St-37, A-2
9	Piulita	6.8, A-2
10	Bucsa	SB (Otel carbon + PTFE)
11	O-ring	EPDM, NBR
12	Capac superior	C 45
13	Capac inferior	C 45
14	Surub	8.8, A-2
15	Pana	C 45 k