

Threaded Connection Pneumatic Piston Valves

PP1090, PP1091 Serie

Application Areas

Water, Air, Vapour, Gas, Chemicals, Petrol Products, Food, Pharmaceutical, Sterilized Environment, Refining, Dye Machines, Packaging Machines, Drinking Water Station, Vacuum Applications, Oil, Petrol, Alcohol, Hydraulic Oil, Salt Water, Natural Gas, Acid

Technical Features

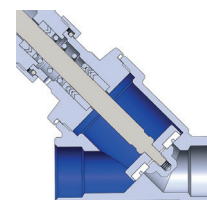
- Opening Closing Time** : 30-40 ms
- Fluid Viscosity** : Max. 600 mm²/s
- Actuator Material** : Fiber glass reinforced poliamid (PAGF30)
- Positioner and Switch Bos** : Connectable
- Connection Type** : Threaded or Flanged
- Control Valve** : 3/2 way TORK Solenoid Valve
- Montage Way** : Flow must be in the direction of the arrow on the body
- Body** : Whole stainless steel body



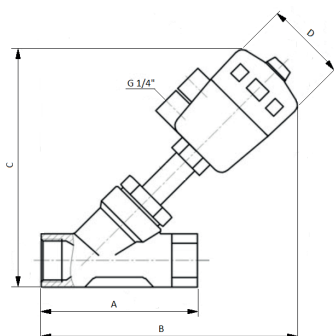
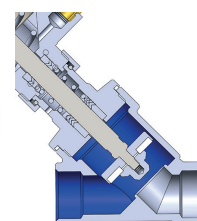
NORMALLY CLOSED

NORMALLY OPEN

PP1090 Serie



PP1091 Serie



Type	DN		A	B	C	D
	mm	Ø	mm	mm	mm	mm
PP1090.03 / PP1091.03	15	1/2"	86	172	137	64
PP1090.04 / PP1091.04	20	3/4"	95	178	145	64
PP1090.05 / PP1091.05	25	1"	105	210	165	64
PP1090.06 / PP1091.06	32	1 1/4"	120	220	180	80
PP1090.07 / PP1091.07	40	1 1/2"	130	228	190	80
PP1090.08 / PP1091.08	50	2"	150	268	245	100

PP1090 Serie Normally Closed

Connection Size	Orifice Size	Working Pressure*		Control Cylinder	KV	Fluid Temperature		Seal	Valve Type/ Order No	Weight
G"	mm	mm min	mm max	Ø	lt/min	°C min	°C max		PP1090	kg
1/2"	13	-1	16	50	70	-10	120	PTFE	PP1090.03	800
3/4"	20	-1	16	50	141	-10	120	PTFE	PP1090.04	1.050
1"	25	-1	16	50	166	-10	120	PTFE	PP1090.05	1.150
1 1/4"	32	-1	16	63	416	-10	120	PTFE	PP1090.06	2.150
1 1/2"	40	-1	16	63	583	-10	120	PTFE	PP1090.07	2.450
2"	50	-1	16	80	666	-10	120	PTFE	PP1090.08	4.000

PP1091 Serie Normally Open

Connection Size	Orifice Size	Working Pressure*		Control Cylinder	KV	Fluid Temperature		Seal	Valve Type/ Order No	Weight
G"	mm	mm min	mm max	Ø	lt/min	°C min	°C max		PP1091	kg
1/2"	13	-1	16	50	70	-10	120	PTFE	PP1091.03	800
3/4"	20	-1	16	50	141	-10	120	PTFE	PP1091.04	1.050
1"	25	-1	16	50	166	-10	120	PTFE	PP1091.05	1.150
1 1/4"	32	-1	16	63	416	-10	120	PTFE	PP1091.06	2.150
1 1/2"	40	-1	16	63	583	-10	120	PTFE	PP1091.07	2.450
2"	50	-1	16	80	666	-10	120	PTFE	PP1091.08	4.000

* The maximum working pressure in the tables is given according to the pilot pressure of 6 bar.